

- Compact metal case with screw terminal block
- Universal input 85-264 VAC
- High efficiency up to 89%
- Active PFC >0.95
- Compliance to EN 61000-3-2
- Short circuit, overvoltage and overload protection
- IEC/EN/UL 62368-1 safety approvals
- 3-year product warranty



The TXLN series is a family of encased power supplies designed for a wide range of cost critical applications. With a low profile metal case and screw terminal block connection, they are easy to install in any equipment. These power supplies have universal input and comply with European EMC standards and the Low Voltage Directive (LVD).

Models

Order Code	Output Power max.	Output Voltage nom. (adjustable)	Output Current max.	Efficiency typ.
TXLN 320-112	320 W	12 VDC (10.8 - 13.2 VDC)	26'700 mA	86 %
TXLN 320-124		24 VDC (21.6 - 26.4 VDC)	13'400 mA	88 %
TXLN 320-148		48 VDC (43.2 - 52.8 VDC)	6'700 mA	89 %

Options

on demand (backorder with MOQ non stocking item)	- Optional model with 5 VDC / 60'000 mA - Optional model with 36 VDC / 8'900 mA
--	--

Input Specifications

Input Voltage	- AC Range	Operational Range: 85 - 264 VAC (Full Range) Rated Range: 100 - 240 VAC (Full Range)
	- DC Range	Operational Range: 120 - 375 VDC (Designed for, no certification) Polarity: irrelevant
Input Frequency		Operational Range: 47 - 63 Hz Certified: 50/60 Hz
Input Current	- Full load & Vin = 115 VAC	4'300 mA max.
Input Inrush Current	- At 230 VAC	50 A max.
	- At 115 VAC	25 A max.
Power Factor	- At 230 VAC	0.95 min. (Active Power Factor Correction)
	- At 115 VAC	0.95 min. (Active Power Factor Correction)
Input Protection		T 6.3 A / 250 VAC (Internal Fuse)
Recommended Input Fuse		6'300 mA (slow blow) (The need of an external fuse has to be assessed in the final application.)

Output Specifications

Output Voltage Adjustment		±10% (By trim potentiometer) Output power must not exceed rated power!
Voltage Set Accuracy		±2% max. (5 Vout model)
		±1% max. (other models)
Regulation	- Input Variation (Vmin - Vmax)	1% max. (5 Vout model) 0.5% max. (other models)
	- Load Variation (0 - 100%)	2% max. (5 Vout model)
		1% max. (other models)
Ripple and Noise (20 MHz Bandwidth)	5 VDC model:	150 mVp-p max. (w/ 0.1 µF 47 µF)
	12 VDC model:	150 mVp-p max. (w/ 0.1 µF 47 µF)
	24 VDC model:	150 mVp-p max. (w/ 0.1 µF 47 µF)
	36 VDC model:	220 mVp-p max. (w/ 0.1 µF 47 µF)
	48 VDC model:	240 mVp-p max. (w/ 0.1 µF 47 µF)
Capacitive Load	5 VDC model:	120'000 µF max.
	12 VDC model:	120'000 µF max.
	24 VDC model:	100'000 µF max.
	36 VDC model:	51'000 µF max.
	48 VDC model:	31'000 µF max.
Minimum Load		Not required
Temperature Coefficient		±0.03 %/K max.
Hold-up Time	- At 230 VAC	8 ms min.
Start-up Time	- At 230 VAC	1'500 ms max.
	- At 115 VAC	3'000 ms max.
Short Circuit Protection		Continuous, Automatic recovery
Output Current Limitation		105 - 135% of Iout max.
Oversvoltage Protection		115 - 140% of Vout nom.

Safety Specifications

Standards	- IT / Multimedia Equipment	EN 62368-1 IEC 62368-1 UL 62368-1
	- Certification Documents	www.tracopower.com/overview/txln320
Protection Class		Class I (Prepared): Connection to PE
Pollution Degree		PD 2
Over Voltage Category		OVC II

All specifications valid at nominal voltage, resistive full load and +25°C after warm-up time, unless otherwise stated.

EMC Specifications

EMI Emissions	- Conducted Emissions	EN 55032 class B (internal filter)
	- Radiated Emissions	EN 55032 class B (internal filter)
	- Harmonic Current Emissions	EN 61000-3-2, class D
	- Voltage Fluctuations & Flicker	EN 61000-3-3
EMS Immunity		EN 55024 (IT Equipment)
		EN 55035 (Multimedia)
	- Electrostatic Discharge	Air: EN 61000-4-2, ± 8 kV, perf. criteria A Contact: EN 61000-4-2, ± 4 kV, perf. criteria A
	- RF Electromagnetic Field	EN 61000-4-3, 3 V/m, perf. criteria A
	- EFT (Burst) / Surge	EN 61000-4-4, ± 1 kV, perf. criteria A
		L to L: EN 61000-4-5, ± 1 kV, perf. criteria B
		L to PE: EN 61000-4-5, ± 2 kV, perf. criteria B
	- Conducted RF Disturbances	EN 61000-4-6, 3 Vrms, perf. criteria A
	- PF Magnetic Field	Continuous: EN 61000-4-8, 3 A/m, perf. criteria A
	- Voltage Dips & Interruptions	230 VAC / 50 Hz: EN 61000-4-11 30%, 25 periods, perf. criteria A >95%, 0.5 periods, perf. criteria A >95%, 250 periods, perf. criteria B

General Specifications

Relative Humidity		90% max. (non condensing)
Temperature Ranges	- Operating Temperature	-30°C to +70°C
	- Storage Temperature	-40°C to +85°C
Power Derating	- High Temperature	2.5 %/K above 50°C
	- Low Input Voltage	0.66 %/V below 100 VAC
	See application note:	www.tracopower.com/overview/txln320
Over Temperature Protection Switch Off	- Protection Mode	Latch off
Cooling System		Forced air cooling (with internal fan)
Fan Power Source	- Characteristic	Variable fan speed (temperature regulated)
	- Output Voltage	12 VDC
	- Output Current	125 mA max. (4'000 RPM / 16.3 CFM)
Altitude During Operation		5'000 m max. (The max. ambient temperature decreases by 5 K / 1000 m when operated above 2000 m)
Regulator Topology		Flyback Converter
Switching Frequency		90 - 110 kHz (PWM)
Insulation System		Reinforced Insulation
Isolation Test Voltage	- Input to Output, 60 s	3'000 VAC
	- Input to Case or PE, 60 s	1'800 VAC
	- Output to Case or PE, 60 s	500 VAC
Isolation Resistance	- Input to Output, 500 VDC	100 M Ω min.
Isolation Capacitance	- Input to Output, 100 kHz, 1 V	20'000 pF max.
Leakage Current (at 264 VAC / 60Hz)	- Earth Leakage Current	1500 μ A max.
Distance Through Isolation		6 mm
Reliability	- Calculated MTBF	175'900 h (MIL-HDBK-217F, ground benign)
Housing Material		Aluminum
Housing Type		Metal Case
Mounting Type		Chassis Mount
Connection Type		Screw Terminal
Weight		850 g
Status Indicator		Indicated by green LED

All specifications valid at nominal voltage, resistive full load and +25°C after warm-up time, unless otherwise stated.

Environmental Compliance - REACH Declaration

www.tracopower.com/info/reach-declaration.pdf

- RoHS Declaration

REACH SVHC list compliant

REACH Annex XVII compliant

www.tracopower.com/info/rohs-declaration.pdf

Exemptions: 7a, 7c-I

(RoHS exemptions refer to the component concentration only, not to the overall concentration in the product (O5A rule))

- SCIP Reference Number

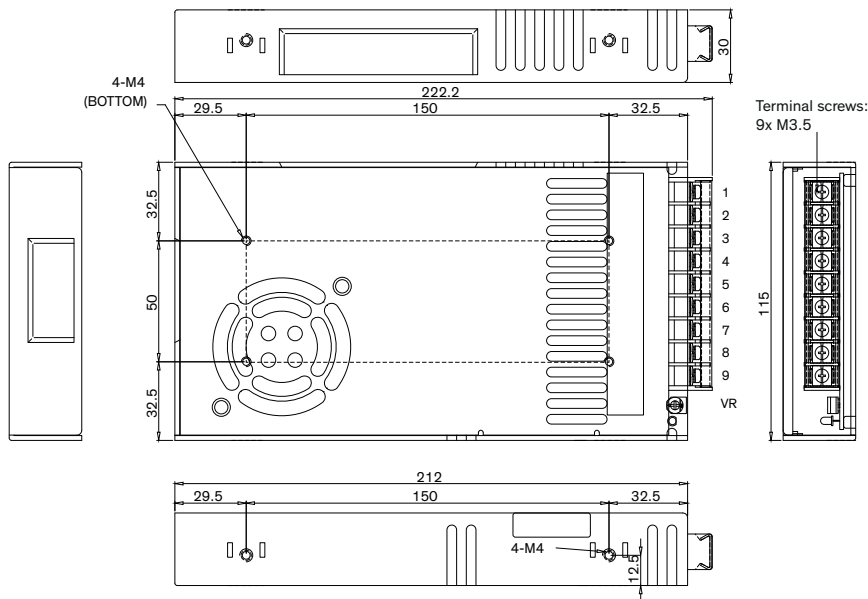
ed7a0424-5f8f-46d3-a762-c9d6cff56d60

Supporting Documents

Overview Link (for additional Documents)

www.tracopower.com/overview/txln320

Outline Dimensions



Screw Terminal	
Pin	Function
1	AC (L)
2	AC (N)
3	PE
4-6	-Vout
7-9	+Vout

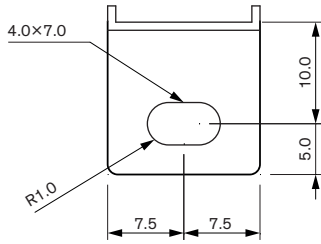
Max. terminal screw locked torque: 0.7 Nm

Dimensions in mm
Tolerances:
0-8: ±0.2
8-25: ±0.3
25-80: ±0.5
80-250: ±0.8

Mounting screws
Max. screw penetration depth: 4.0
Max. screw locked torque: 0.8 Nm

All specifications valid at nominal voltage, resistive full load and +25°C after warm-up time, unless otherwise stated.

Mounting Bracket (included)



Dimensions in mm

- Included in shipment:
- 4x Mounting Bracket
 - 4x M4 mounting screw

