

# THL-20WI Series ▶ 20 W



- ▶ Highest power density 20 W converter
- ▶ 1" x 1" x 0.4" metal package
- ▶ Ultra wide 4:1 input voltage range
- ▶ Highest efficiency up to 90%
- ▶ I/O isolation 1500 VDC
- ▶ Input filter to meet EN 55022, class A
- ▶ Short circuit protection
- ▶ Remote On/Off
- ▶ Adjustable output voltage
- ▶ Industry standard pinout

Full datasheet in progress !



**NEW**  
Product

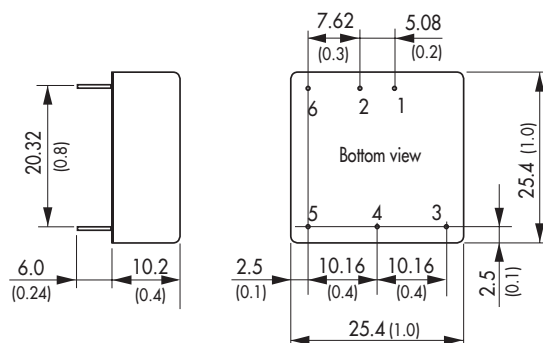
## Specifications

Line regulation	1% max.
Load regulation	- Single output models: 1.0% max. - Dual output models: 2.0% max.
Output voltage adjustment	±10% by external resistor (single output models)
Ripple & noise	<100 mVpk-pk (20MHz BW)
Conducted EMI	EN 55022, class A and FCC, level A (internal filter)
Short circuit protection	continuous, automatic recovery
Efficiency	89% typ.
Operating temperature range	-40 °C to +75 °C above 60°C derating 2.5%/K
I/O isolation test voltage	1500 VDC
Safety standards	cUL/UL 60950-1, IEC/EN 60950-1
Casing	metal, with insulated baseplate
Remote On/Off	shutdown input for low current in standby operation

## Models

Order code	Input voltage	Output voltage	Output current max.
THL 20-2410WI		3.3 VDC	4500 mA
THL 20-2411WI		5.1 VDC	4000 mA
THL 20-2412WI	9 – 36VDC	12 VDC	1670 mA
THL 20-2413WI		15 VDC	1340 mA
THL 20-2422WI		± 12 VDC	± 835 mA
THL 20-2423WI		± 15 VDC	± 670 mA
THL 20-4810WI		3.3 VDC	4500 mA
THL 20-4811WI		5.1 VDC	4000 mA
THL 20-4812WI	18 – 75VDC	12 VDC	1670 mA
THL 20-4813WI		15 VDC	1340 mA
THL 20-4822WI		± 12 VDC	± 835 mA
THL 20-4823WI		± 15 VDC	± 670 mA

## Dimensions



() = Inches

Pin	Single output	Dual output
1	+ Vin (Vcc)	+ Vin (Vcc)
2	- Vin (GND)	- Vin (GND)
3	+ Vout	+ Vout
4	Trim	Common
5	- Vout	- Vout
6	Remote On/Off	Remote On/Off