

DIN-Rail Mounting Kit

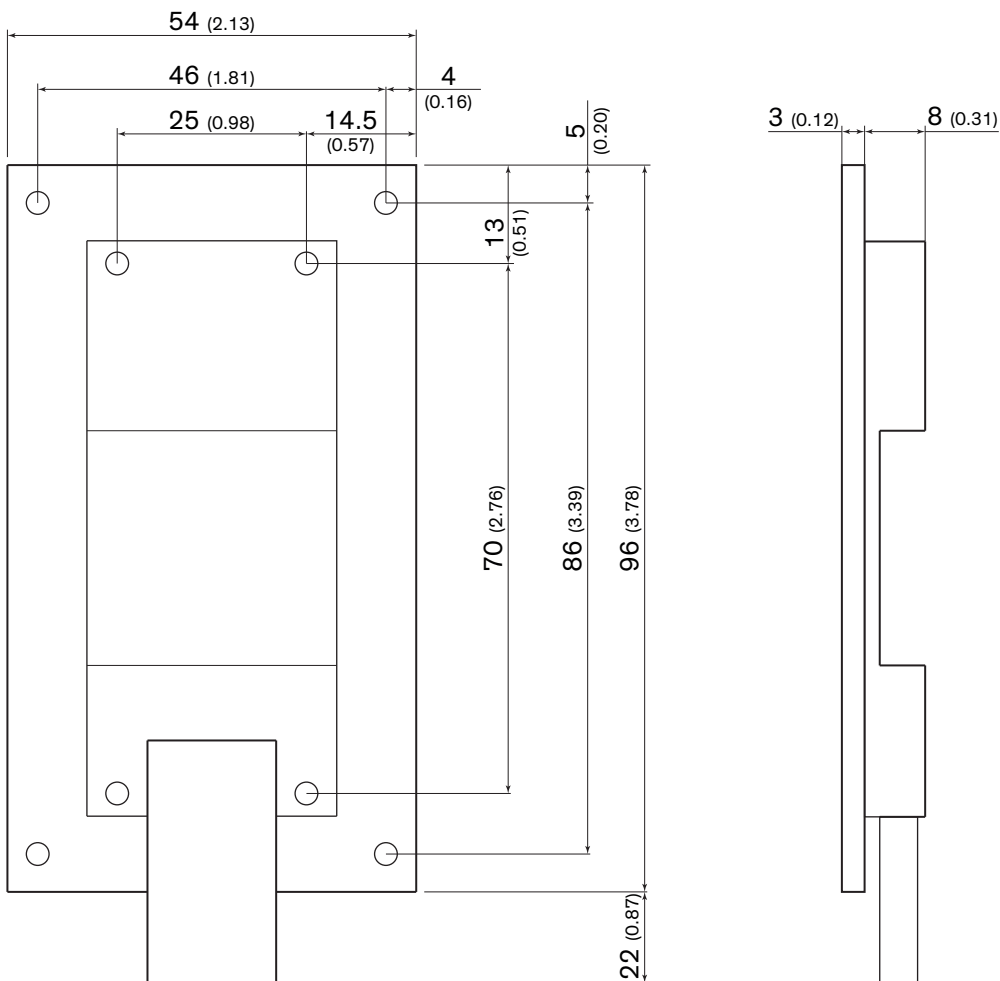
TMP-MK1



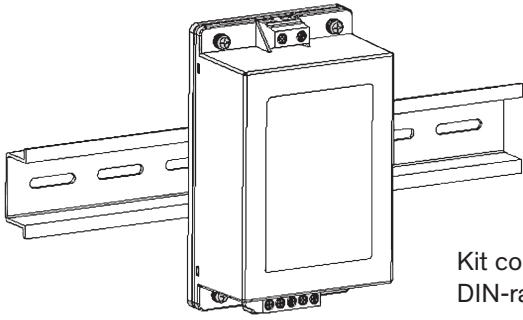
Order Code	TMP-MK1
Compatible with	TMDC 20, TMDC 20H, TMM 24C, TMP 15C
Mounting Kit Type	DIN-Rail Mounting Kit (EN 60715 - 35x7.5mm/35x15mm)
Package content	1x DIN Rail Clip 1x Heat Sink (Mounting Plate) 4x Screw M3x12, round head 4x Screw M3x8, round head
Material	Plastic, Aluminum
Weight	78.5 g
RoHS Exemptions	No Exemptions

Outline Dimensions

Mechanical Drawing



Exploded View



Kit contains interface plate,
DIN-rail clip and screws

