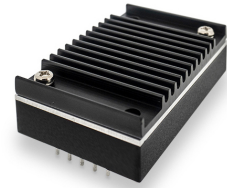


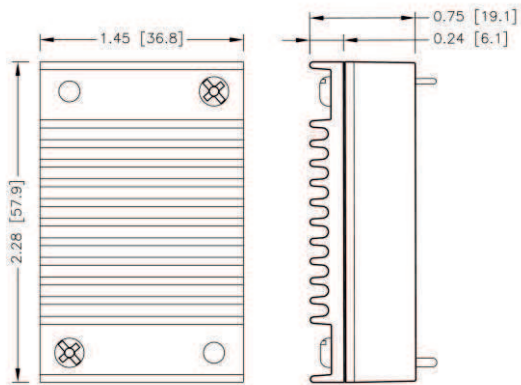
## Heat Sink

## TEP-HS2

|                          |   |
|--------------------------|---|
| <b>Order Code</b>        | <b>TEP-HS2</b>                            |
| <b>Compatible with</b>   | TEP 100UIR, TEP 40UIR, TEP 60UIR          |
| <b>Thermal Impedance</b> | Please refer to converter datasheets      |
| <b>Package Content</b>   | Heatsink, thermal pad and mounting screws |
| <b>Material</b>          | AL 6063                                   |
| <b>Surface Finish</b>    | Anodized (black)                          |
| <b>Weight</b>            | 20.7 g (without converter)                |
| <b>RoHS Exemptions</b>   | No Exemptions                             |



### Outline Dimensions



Dimensions in inch, [ ] = mm