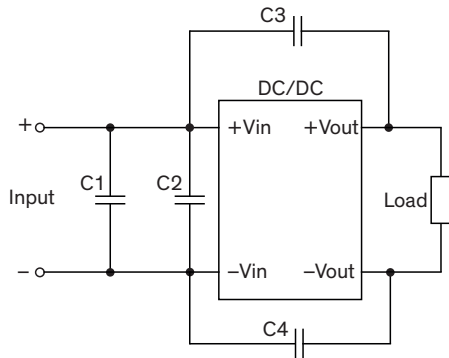


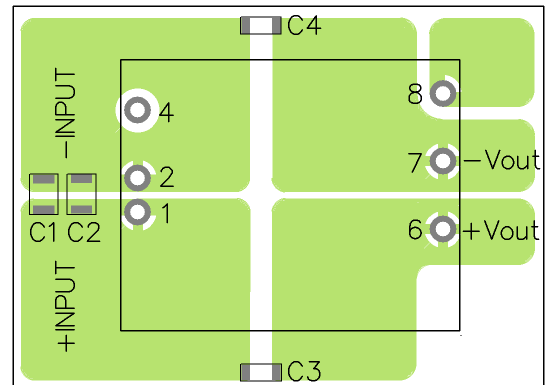
### EMI Consideration

Suggested filter to comply with EN 55032 Conducted and Radiated Emissions Class A limits

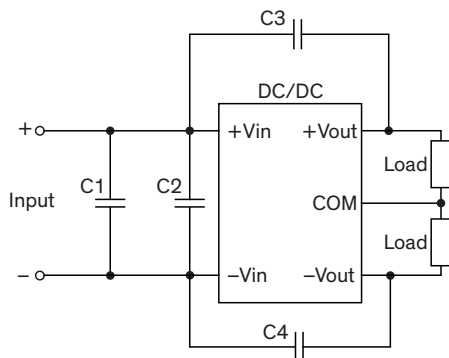
#### Single output models



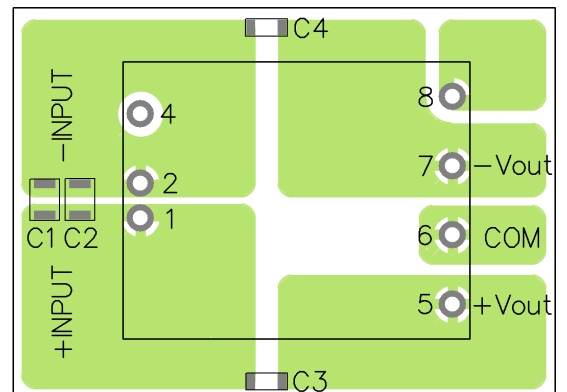
#### PCB layout suggestion



#### Dual output models



#### PCB layout suggestion

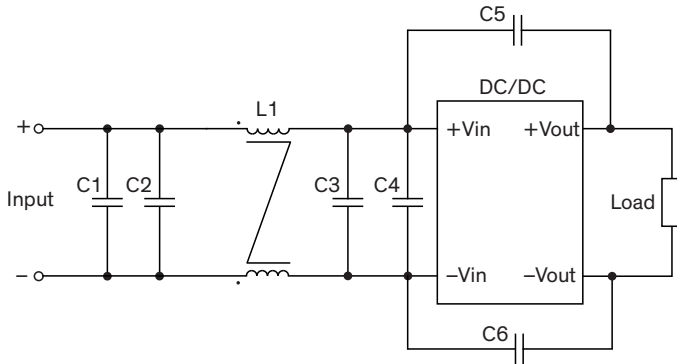


### Suggested components to comply with EN 55032 Conducted and Radiated Emissions Class A limits

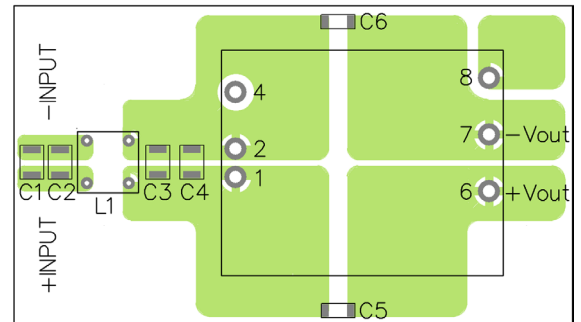
Model	C1	C2	C3	C4
TEL 30-24xxWI	6.8 $\mu$ F / 50 V 1812 MLCC	-	1000 pF / 2 kV 1808 MLCC	1000 pF / 2 kV 1808 MLCC
TEL 30-48xxWI	2.2 $\mu$ F / 100 V 1812 MLCC	2.2 $\mu$ F / 100 V 1812 MLCC	1000 pF / 2 kV 1808 MLCC	1000 pF / 2 kV 1808 MLCC

### Suggested filter to comply with EN 55032 Conducted and Radiated Emissions Class B limits

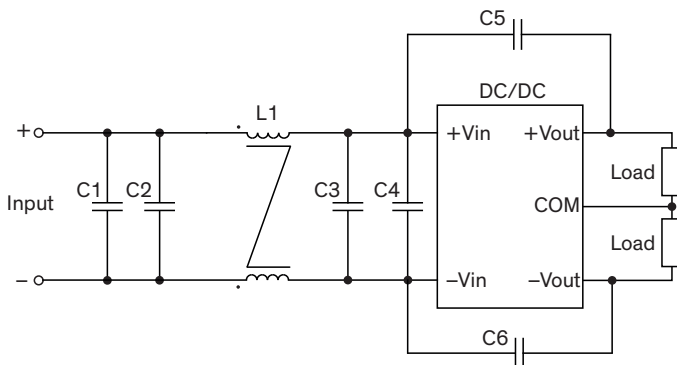
#### Single output models



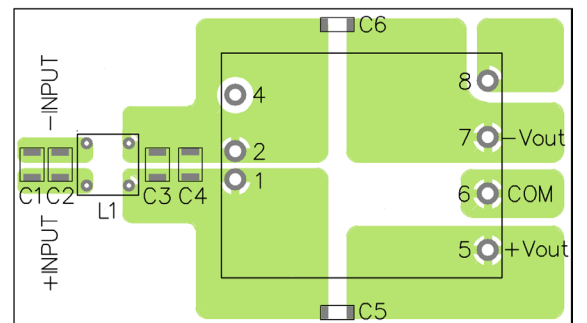
#### PCB layout suggestion



#### Dual output models



#### PCB layout suggestion



### Suggested components to comply with EN 55032 Conducted and Radiated Emissions Class B limits

Model	C1	C2	C3	C4	C5, C6	L1
TEL 30-24xxWI	6.8 $\mu$ F / 50 V 1812 MLCC	-	6.8 $\mu$ F / 50 V 1812 MLCC	-	1000 pF / 2 kV 1808 MLCC	450 $\mu$ H / TCK-048 Common-Choke
TEL 30-48xxWI	2.2 $\mu$ F / 100 V 1812 MLCC	2.2 $\mu$ F / 100 V 1812 MLCC	2.2 $\mu$ F / 100 V 1812 MLCC	2.2 $\mu$ F / 100 V 1812 MLCC	1000 pF / 2 kV 1808 MLCC	450 $\mu$ H / TCK-048 Common-Choke

TCK-048 datasheet: [www.tracopower.com/overview/tck-048](http://www.tracopower.com/overview/tck-048)