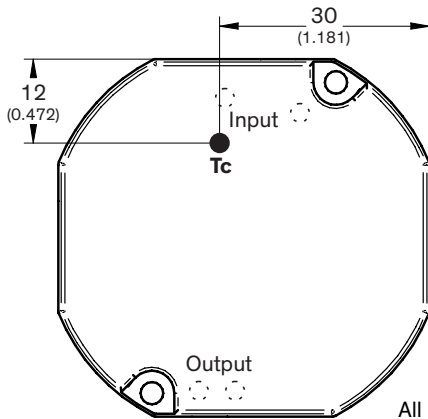


Thermal Consideration

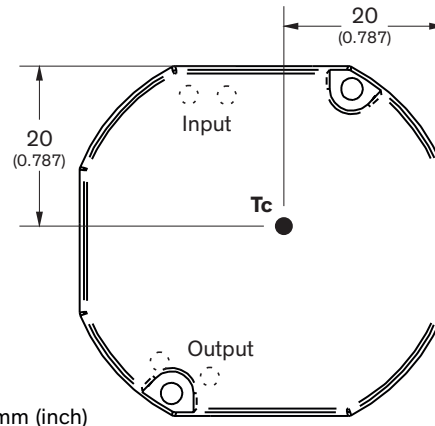
Temperature measuring point Tc

For reliable over temperature protection we are measuring the power supplies temperature continuously on the hottest spot. This part is called **Tc** and is located at the outside of the casing.

TMW 24P (Top View):



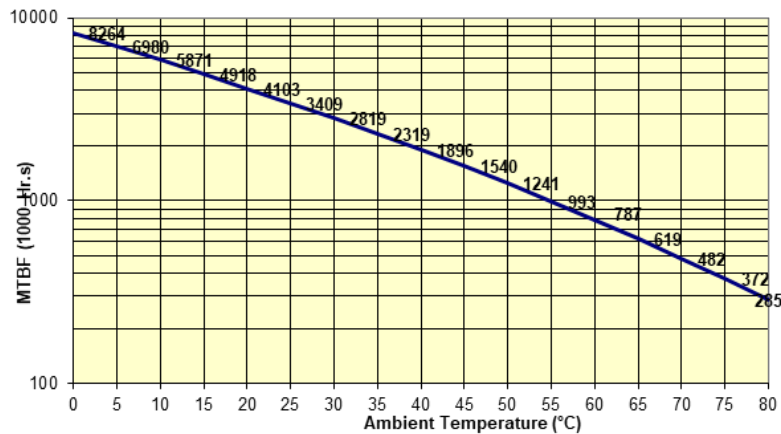
TMW 36P (Top View):



All dimensions in mm (inch)

MTBF for open mounting with natural convection cooling

MTBF in kHours (Based on: IEC-1709)



MTBF for flush box mounting

For mounting inside a flush box it has to be ensured not to exceed max. operating temperature. Inside a flush box there will no natural convection be present. This causes the converter to getting hot much faster. Because of different wall materials, mounting technique, cable management and use cases, it is not possible to specify a reliable MTBF for flush box mounting. Proper cooling has to be assessed by customer.